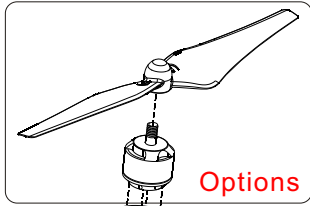


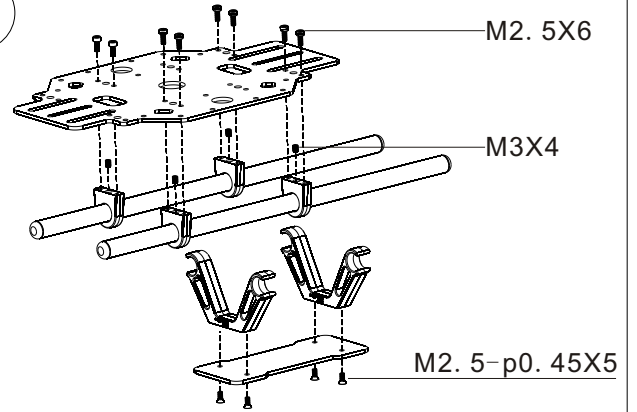
S500 INSTRUCCION MANUAL

1



M3X7

2

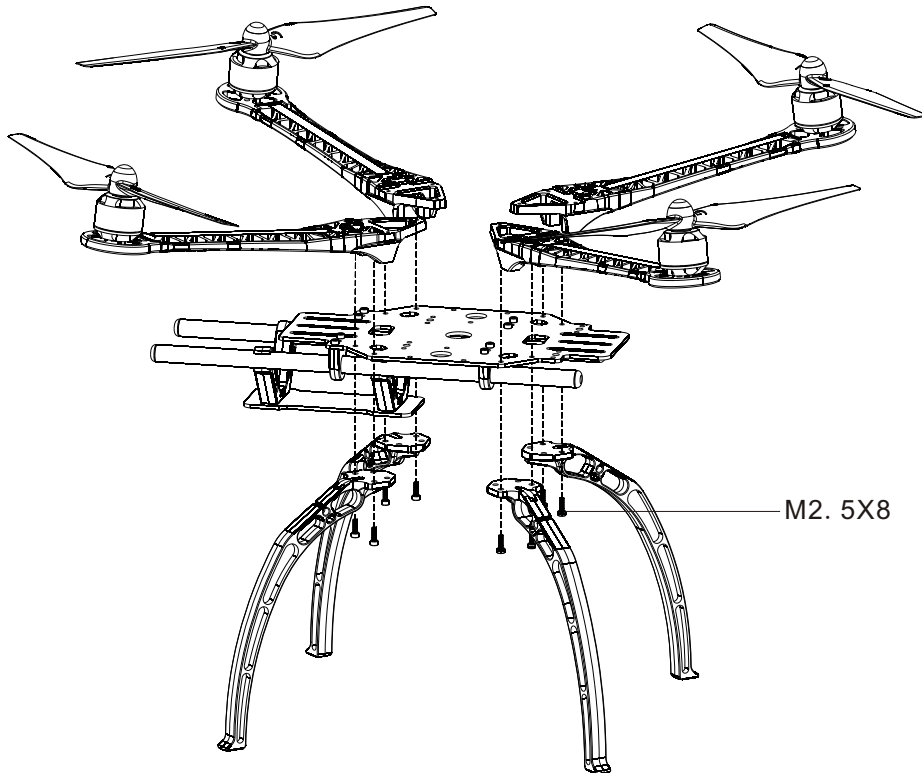


M2. 5X6

M3X4

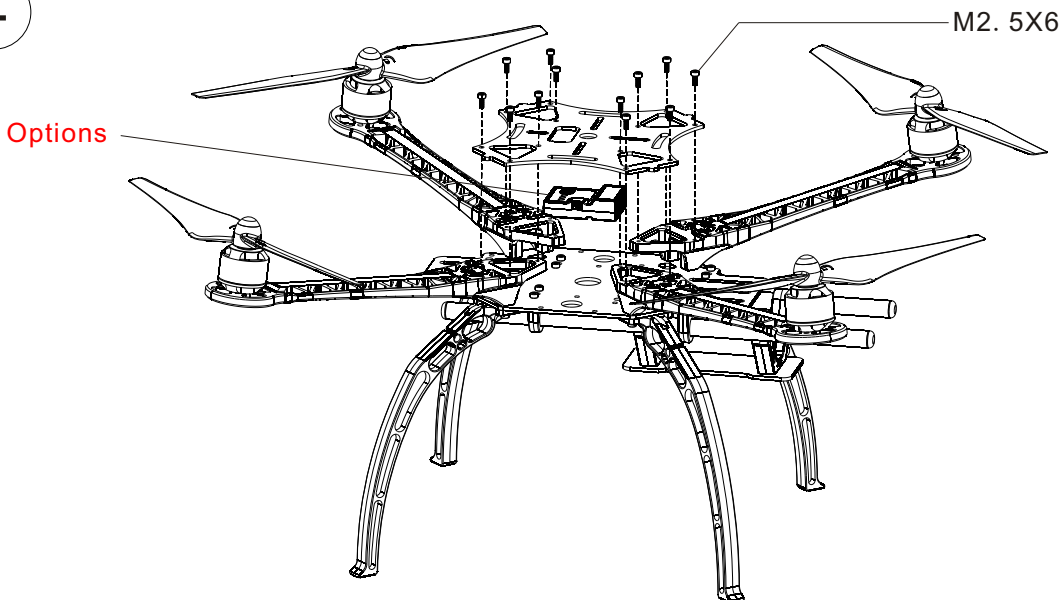
M2. 5-p0. 45X5

3



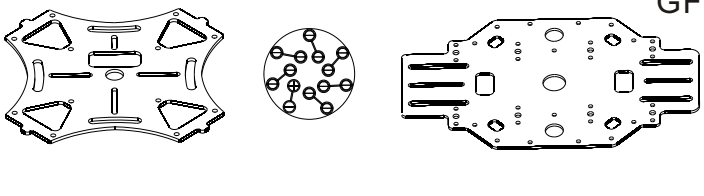
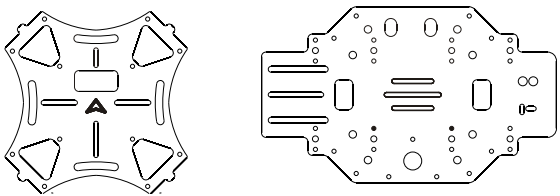
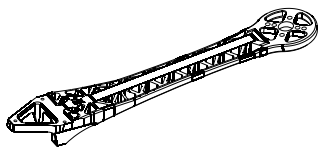
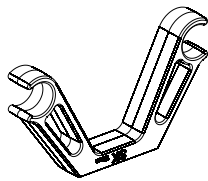
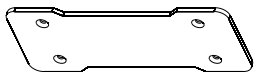
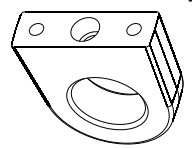
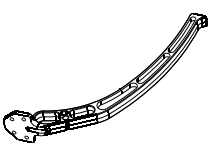
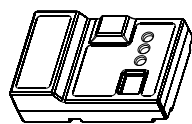
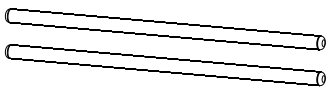
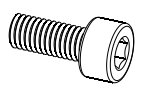
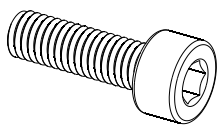
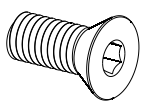
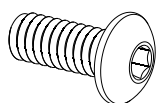
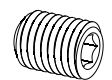
M2. 5X8

4



Options

M2. 5X6

 <p>GF</p>		 <p>PCB</p>	
<p>4PCS</p> 	<p>2PCS</p> 	<p>1PCS</p> 	<p>4PCS</p> 
<p>4PCS</p> 	<p>Options</p> <p>1PCS</p> 	<p>2PCS</p>  <p>Φ 10</p>	<p>24PCS</p>  <p>M2. 5X6</p>
<p>8PCS</p>  <p>M2. 5X8</p>	<p>4PCS</p>  <p>M2. 5-p0. 45X5</p>	<p>16PCS</p>  <p>M3X7</p>	<p>4PCS</p>  <p>M3X4</p>
